



The Best of Both Worlds

Kroy Building Products, the leader in vinyl fence, deck and rail solutions, introduces two styles of privacy fence that bring the high-performance and great looks of vinyl to the popular-priced market.

Our expertise in vinyl has allowed us to engineer a pre-fabricated fence system that brings real efficiencies into the manufacturing and installation process without compromising the good looks, durability and low maintenance you expect from vinyl.

The result? Performance that's accessible on any budget.

Winning Style

Contoured rails look richer than standard rectangular rails

3/4" x 11 1/2" panels with groove simulate 1" x 6" wood panel on Solid Privacy

On Shadow Box, patent pending 3/4" x 6" panel quickly locks together and creates the classic shadow box look

Embossed wood design on both sides simulates wood and adds contrast to Shadow Box panels

Contractor Friendly

Pre-routed posts, pre-cut rails, inserts, and panels for less handling and reduced fabrication costs

Easy Installation

8' on center application reduces post installation costs

True 6' panel height

Kroy Performance

Patented attachment system increases strength and wind performance

Rail clips secure rails into the post and increase performance

Prefabricated Vinyl Privacy Fences



Fence. Deck. Rail.

Offer Kroy quality to your customers.
Stay competitive in the market.
A great combination!



Kroy Building Products, Inc.

1857 Evans Road
Cary, NC 27513
Phone (919) 678-4840
Fax (919) 677-9581

www.kroybp.com

**The performance you need.
The price you want.**



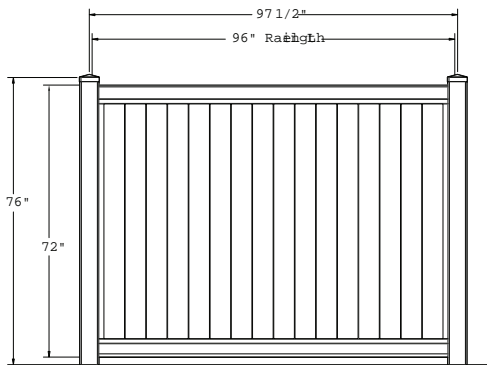
Prefabricated Solid Privacy **Prefabricated Shadowbox**

Great Looks That Endure

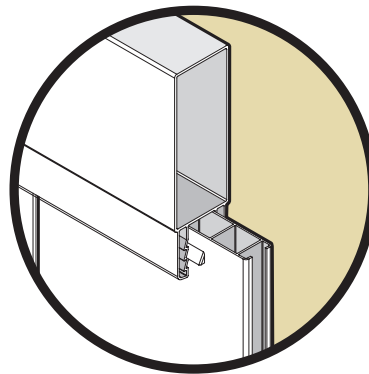
Contoured rail adds visual interest
 Vertical panels incorporate a center groove that gives the appearance of a 1"x 6" wood board
 True 6' panel height gives real privacy

Affordable Privacy

Pre-routed system minimizes handling and fabrication costs
 Wide panels and 8' on center posts speed up installation



Patented Performance



Kroy's Prefabricated Fence solutions use our patented attachment system to provide sector-leading performance and durability.
 Panels lock securely into rails that feature a toothed slot to increase strength and wind performance.

Classic Style

Contoured rail adds visual interest
 Panels lock together to create the classic shadowbox look
 Embossed wood design on both sides

Affordable Privacy

Pre-routed system minimizes handling and fabrication costs
 Wide panels and 8' on center posts speed up installation

